

Features:

- CMOS Technology
- +/-15 Volt Output Driver Supply Voltage
- Drives Segment or Active Matrix Displays
- 4 Level Gray Scale
- 25MHz Clock Frequency
- Bi-Directional Data Transfer
- Selectable Register Length
- 2.7V to 5.5V Logic Supply Voltage
- Cascadable

Applications:

- eBooks / eReaders
- Electronic Shelf Labels / Point Of Purchase Displays
- Mobile Phones / Portable Hand Held Devices
- Smart Cards
- Signage

General Description

The MX860 is a selectable 240, 256, or 268 bit long 2-bit wide serial-input parallel-output digital shift register with level conversion on each parallel output which converts the 2 digital bits into VPOS, VSS, or VNEG analog output voltages. An 8-bit input bus simultaneously inputs 4 groups of 2 bits each.

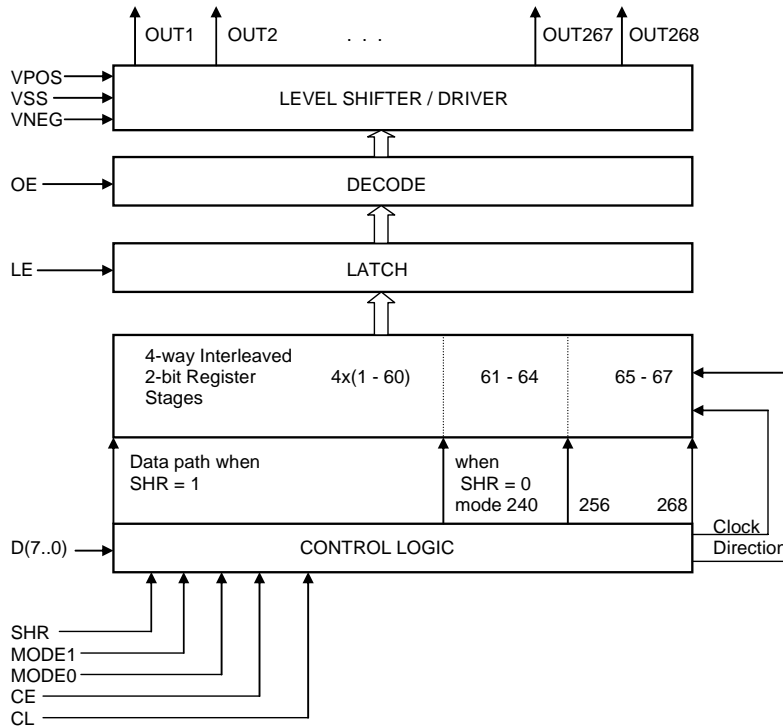
The MX860 consists of a selectable length Bi-Directional Input Register, Transfer Latch, and 268 bit Level Shifter / Output Driver. Each "OUT" pin is switched to one of [VSS, VPOS, VNEG] according to the D0...D7 logic levels clocked into the MX860, modified by the OE pin.

The MX860 is designed to operate over a temperature range of -40°C to +85°C, and is available as Gold Bumped in Wafer Form or Waffle Pack, 324 ball BGA package, and 48mm Tape Carrier Package.

Ordering Information

Part No.	Description
MX860WB	Gold Bumped Die / Wafer Form
MX860XB	Gold Bumped Die / Waffle Pack
MX860K	15mm x 15mm BGA
MX860TC	48mm Super Wide Tape Carrier

Block Diagram



Micronix
An IXYS Company

145 Columbia
Aliso Viejo, CA 92656-1490
Tel: 949-831-4622
Fax: 949-831-4671

IXYS Corporation

3540 Bassett Street
Santa Clara, CA 95054
Tel: 408-982-0700
Fax: 408-496-0670
sales@ixys.net

SALES OFFICES AMERICAS

Eastern Region

[Eastern North America, Mexico, South America]
IXYS Corporation
Beverly, MA
Tel: 508-528-6883
Fax: 508-528-4562
wgh@ixys.net

Central Region

[Central North America]
IXYS Corporation
Greensburg, PA
Tel: 724-836-8530
Fax: 724-836-8540
neil.lejune@westcode.com

Western Region

[Western North America]
IXYS Corporation
Solana Beach, CA
Tel: 858-792-1101
slodor@ix.netcom.com

SALES OFFICES EUROPE

European Headquarters

IXYS Semiconductor GMBH
Edisonstrasse 15
D- 68623 Lampertheim
Germany
Tel : 49-6206-503203
Fax: 49-6206-503286
marcom@ixys.de

United Kingdom

IXYS Semiconductor Limited
Langley Park Way
Langley Park
Chippenham
Wiltshire SN 15 1GE - England
Tel: 44 1249 444524
Fax: 44 1249 659448
sales@ixys.co.uk

ASIA / PACIFIC

Asian Headquarters

IXYS
Room 1016, Chia-Hsin, Bldg II,
10F, No. 96, Sec. 2
Chung Shan North Road
Taipei, Taiwan R.O.C.
Tel: 886-2-2523-6368
Fax: 886-2-2523-6368
bradley.green@ixys.co.uk
jhong@clare.com

Check the IXYS Website for the local sales office nearest you. (www.ixys.com)

<http://www.claremicronix.com>

Micronix cannot assume responsibility for use of any circuitry other than circuitry entirely embodied in this Micronix product. No circuit patent licenses nor indemnity are expressed or implied. Micronix reserves the right to change the specification and circuitry, without notice at any time. The products described in this document are not intended for use in medical implantation or other direct life support applications where malfunction may result in direct physical harm, injury or death to a person.

Specification: MX860
©Copyright 2008, Micronix, Inc.
All rights reserved. Printed in USA.