

Click here to request a full data sheet

Features:

- CMOS Technology
- Drives Segment or Active Matrix Displays
- 16 to 57.5 Volt Output Drive (V_{DD} to V_{EE})
- Selectable Output Shift Direction and Polarity
- 3 Output Switching Modes
- Cascadable (4 Maximum)

Applications:

- eBooks / eReaders
- Electronic Shelf Labels / Point Of Purchase Displays
- Mobile Phones / Portable Hand Held Devices
- Smart Cards
- Signage

Ordering Information

Part No.	Description
MXEI2240WB	Gold Bumped Die / Wafer Form
MXEI2240XB	Gold Bumped Die / Waffle Pack

General Description

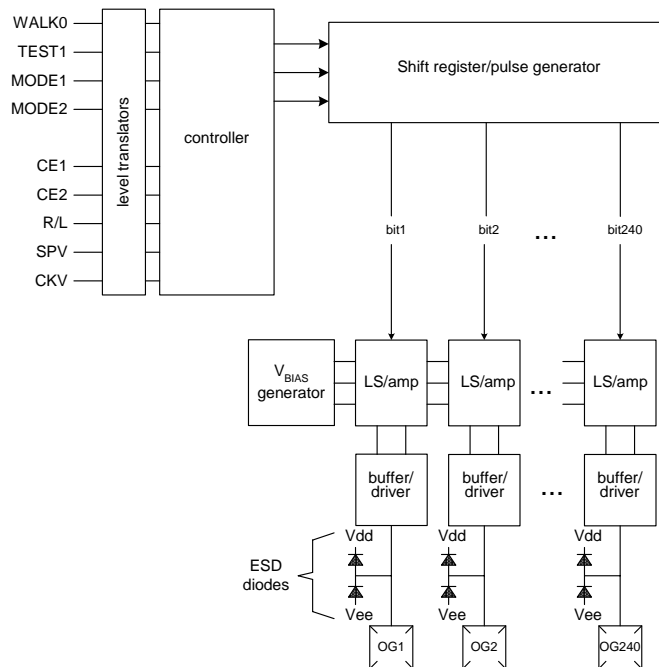
The MXEI2240 is a 240 bit serial shift register, level translator, and high voltage buffered driver. The shift register is 'seeded' by the CE1, CE2, R/L, SPV, and CKV inputs.

The output pulse pattern is selected with the MODE1 and MODE2 inputs. A one pulse, continuous two pulse, jumping two pulse, or no pulse pattern can be generated. Pulse polarity is selected with the WALK0 input.

The register output bits are amplified rail-rail from V_{EE} to V_{DD} , and the output strength of the buffer drivers is modulated by the V_{bias} generator. This allows the OGN outputs to be continuously optimized for peak performance while minimizing transients over a wide operating range.

The MXEI2240 is designed to operate over a temperature range of -40°C to $+85^{\circ}\text{C}$, and is available as Gold Bumped Die in Wafer Form or Waffle Pack.

Block Diagram



Micronix
An IXYS Company

145 Columbia
Aliso Viejo, CA 92656-1490
Tel: 949-831-4622
Fax: 949-831-4671

IXYS Corporation

3540 Bassett Street
Santa Clara, CA 95054
Tel: 408-982-0700
Fax: 408-496-0670
sales@ixys.net

SALES OFFICES AMERICAS

Eastern Region

[Eastern North America, Mexico, South America]
IXYS Corporation
Beverly, MA
Tel: 508-528-6883
Fax: 508-528-4562
wgh@ixys.net

Central Region

[Central North America]
IXYS Corporation
Greensburg, PA
Tel: 724-836-8530
Fax: 724-836-8540
neil.lejune@westcode.com

Western Region

[Western North America]
IXYS Corporation
Solana Beach, CA
Tel: 858-792-1101
slodor@ix.netcom.com

SALES OFFICES EUROPE

European Headquarters

IXYS Semiconductor GMBH
Edisonstrasse 15
D- 68623 Lampertheim
Germany
Tel : 49-6206-503203
Fax: 49-6206-503286
marcom@ixys.de

United Kingdom

IXYS Semiconductor Limited
Langley Park Way
Langley Park
Chippenham
Wiltshire SN 15 1GE - England
Tel: 44 1249 444524
Fax: 44 1249 659448
sales@ixys.co.uk

ASIA / PACIFIC

Asian Headquarters

IXYS
Room 1016, Chia-Hsin, Bldg II,
10F, No. 96, Sec. 2
Chung Shan North Road
Taipei, Taiwan R.O.C.
Tel: 886-2-2523-6368
Fax: 886-2-2523-6368
bradley.green@ixys.co.uk
jhong@clare.com

Check the IXYS Website for the local sales office nearest you. (www.ixys.com)

<http://www.claremicronix.com>

Micronix cannot assume responsibility for use of any circuitry other than circuitry entirely embodied in this Micronix product. No circuit patent licenses nor indemnity are expressed or implied. Micronix reserves the right to change the specification and circuitry, without notice at any time. The products described in this document are not intended for use in medical implantation or other direct life support applications where malfunction may result in direct physical harm, injury or death to a person.

Specification: MXEI2240
©Copyright 2008 Micronix, Inc.
All rights reserved. Printed in USA.