

Micronix an IXYS Company
MXHV9910 30VDC DEMO BOARD

LED +
6 to 15 VDC
900mA Max.

LED -

Vin+
EXT. POWER
12 to 30 VDC

Vin-

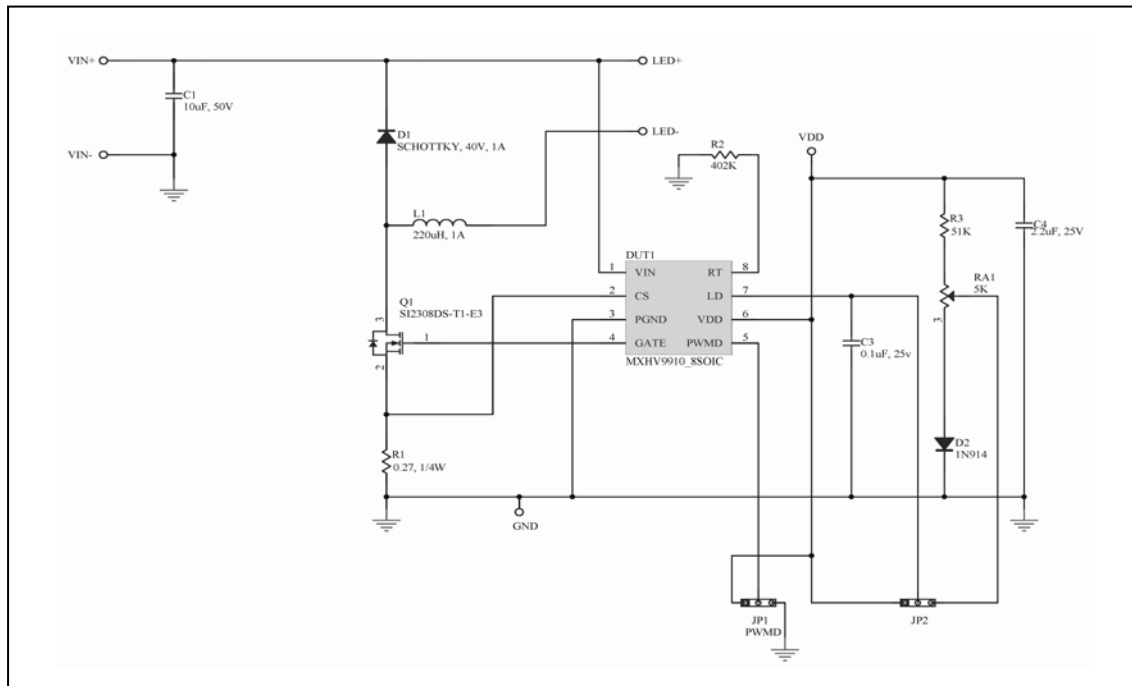
VDD MONITOR

EXTERNAL (RA1) CURRENT SENSE THRESHOLD ADJUST

JP1
EXTERNAL PWM CONTROL INPUT
Connecting the PWM pin to VDD enables the converter. Applying a PWM TTL signal between the PWM pin and GND adjusts the average output current to the LED's according to the duty cycle.

JP2 INTERNAL / EXTERNAL CURRENT THRESHOLD SELECT
When the LD pin is connected to RA1 through JP2, LED current may be reduced in a linear fashion by adjusting RA1.

MXHV9910DB1



Micronix 145 Columbia, Aliso Viejo. CA. 92656-1490 USA
 Phone (949) 831-4622 Fax: (949) 831-4671
www.claremicronix.com